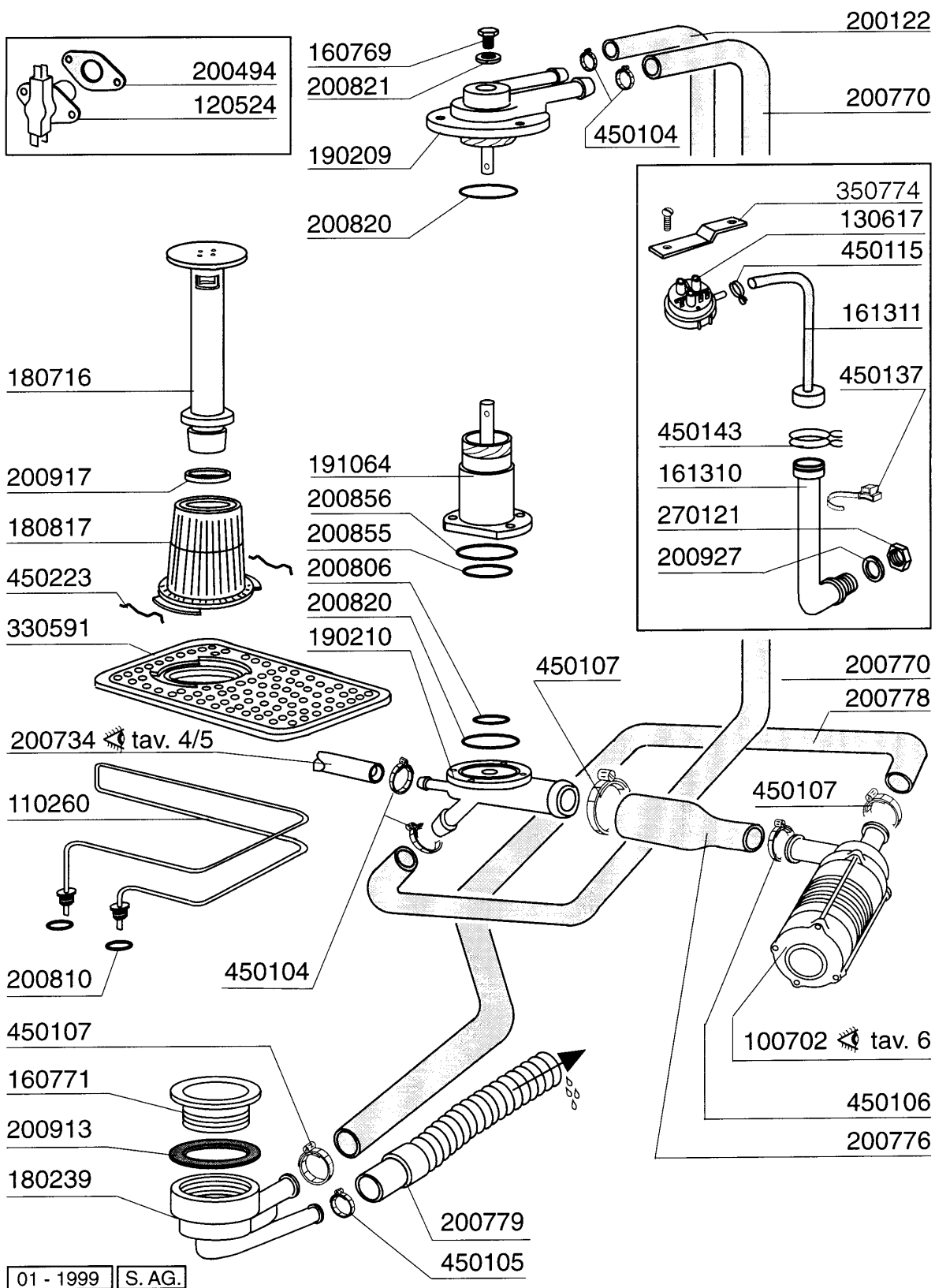


05 - 1999 | S. AG.

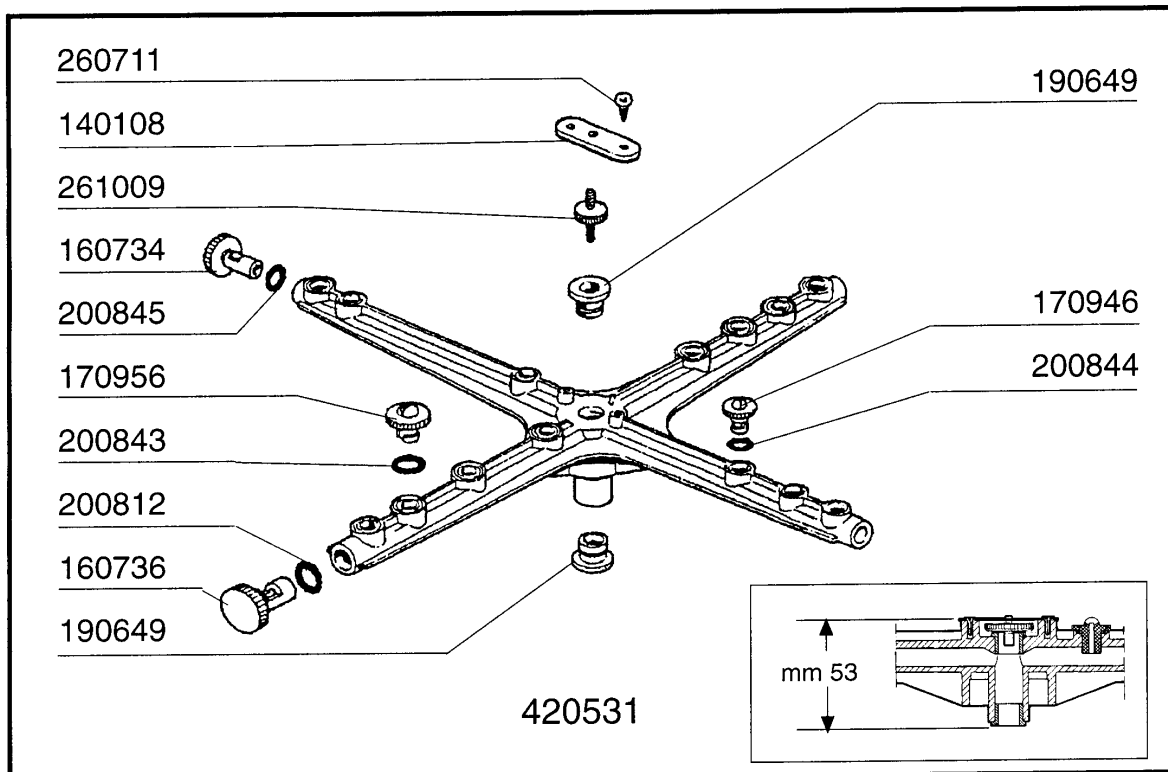
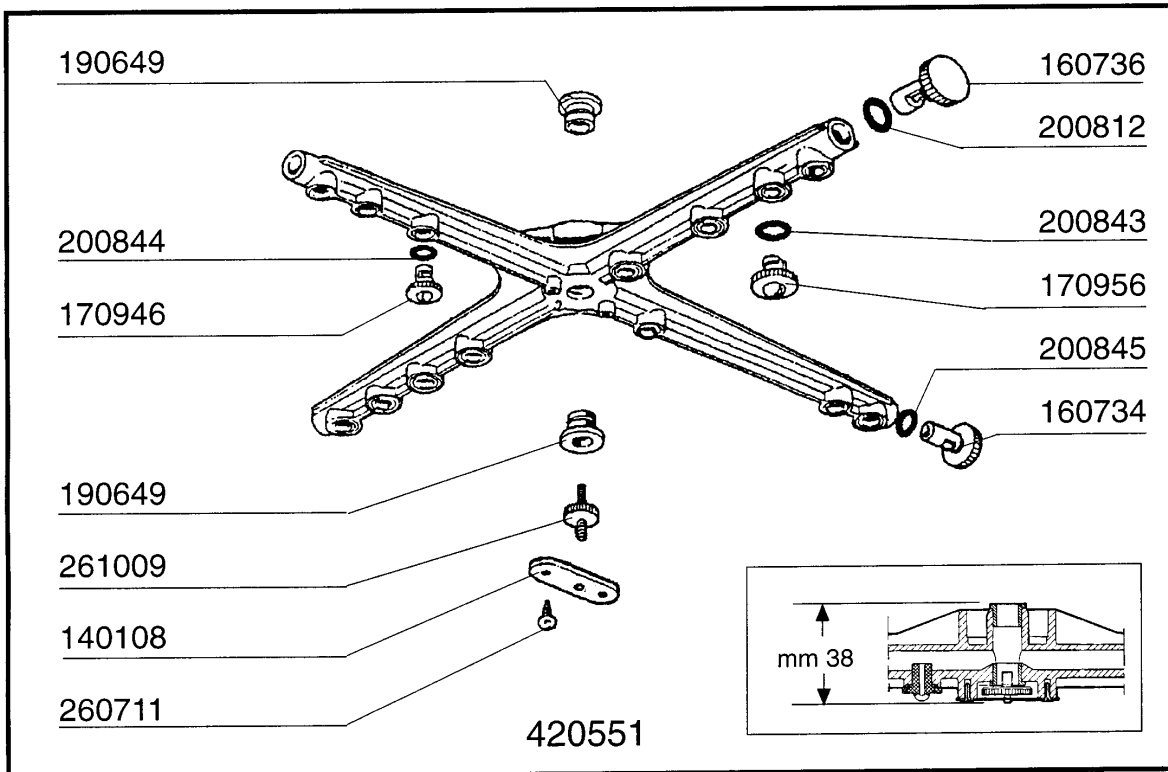
2 - Hood

| CODE | DESCRIPTION |
|--------|--------------------------------|
| 150818 | CABLE HOLDER PG 13,5 |
| 160755 | PLUG FOR MACHINES WITHOUT SOFT |
| 160772 | PLUG FOR DOOR (BR-BC-FC) |
| 160836 | DOOR WASHER BR-BC-FC |
| 160837 | GASKET FOR TIE ROD BC-FC |
| 160909 | SUPPORT FOR GASKET |
| 180506 | DOOR CATCH BR-BC-FC |
| 190644 | SPACING NUT FOR TIE ROD BR-BC- |
| 200489 | GASKET 81X68X3 |
| 210204 | FOOT FOR B20-10-11-12-15 ‡ |
| 260139 | SCREW TE 5X16 |
| 260238 | M4 X 10 MUSH/HD SCREW |
| 320388 | TOP PANEL BR-BC-FC43 |
| 321156 | COVER FOR RINSE AID CONTAINER |
| 322150 | RIGHT GUIDE BC25-30 |
| 322151 | LEFT GUIDE BC25-30 |
| 322908 | DOOR BC30-BC30HR-FC43 |
| 330227 | DOOR ROD FOR BR-BC-FC43 |
| 341460 | HOOD BC30-FC43 |
| 341921 | DOOR PIN BR-BC |
| 341922 | PIN FOR TIE ROD DOOR BR-BC |
| 351259 | CENTRAL FRONT PANEL BR-BC-FC43 |
| 351525 | FRONT LOWER PANEL FC43 |
| 390138 | LOWER BACK PANEL BR/BC20-25 |
| 390141 | BACK PANEL BC30/FC43 |
| 390142 | LOWER COVER BR-BC-FC43 |
| 411004 | PERMANENT MAGNET FOR MICROSWIT |
| 441107 | DOOR HINGE BR-BC-FC LEFT |
| 441108 | DOOR HINGE BR-BC-FC RIGHT |
| 460360 | FC43 NAME |
| 460361 | FC43A NAME |



3 - Tank

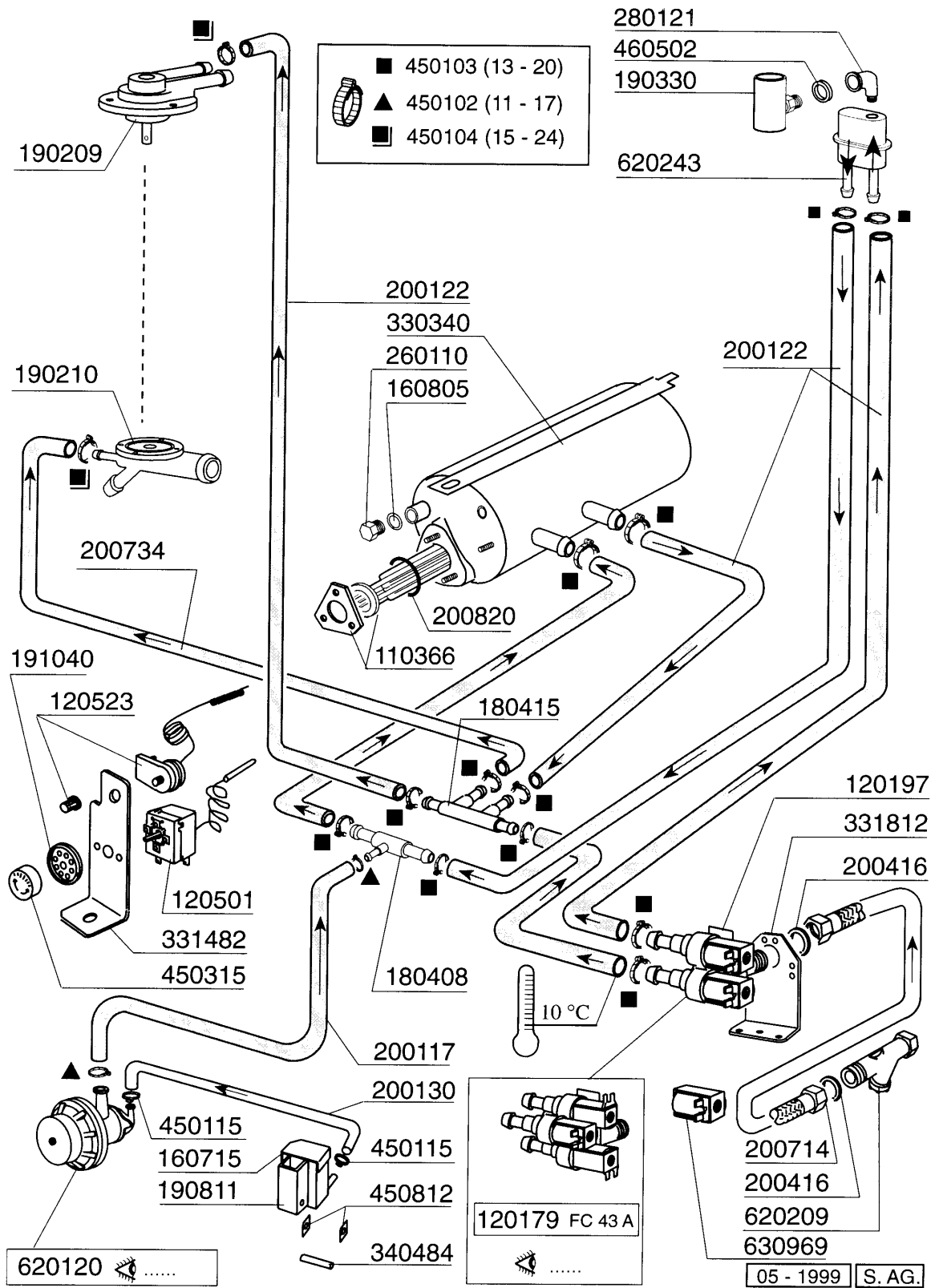
| CODE | DESCRIPTION |
|--------|--------------------------------|
| 100702 | PUMP HP 0,3 220/240-50-2229 |
| 110260 | HEAT.ELEMENT 1275W 230V BR-BC- |
| 120524 | TANKTHERMOSTAT GLASSWASHER |
| 130617 | PRESSURE SWITCH 60-40 BC-BR-FC |
| 160769 | PLUG F.UPPER WASH ARM SUPPORT |
| 160771 | NUT |
| 161310 | AIR CHAMBER FOR GLASSWASHERS B |
| 161311 | HOSE FOR AIR CHAMBER BC-BR-AC9 |
| 180239 | SUCTION BASIN BR-BC-FC43 |
| 180716 | OVERFLOW PIPE NR-BC-FC43 |
| 180817 | SUCTION FILTER FOR BR-BC-FC43 |
| 190209 | UPPER WASH/RINSE ARM SUPPORT " |
| 190210 | BOTTOM TEE WASH/RINSE BC-FC43 |
| 191064 | LOWER WASH ARM SUPPORT FOR BC- |
| 200122 | HOSE 11X19 |
| 200494 | GASKET FOR TANKTHERMOSTAT BT |
| 200734 | HOSE FOR RINSE |
| 200770 | UPPER/LOWER WASH HOSE B18TM-B1 |
| 200776 | OUTLET HOSE FOR "BC-FC43" PUMP |
| 200778 | DELIVERY HOSE BR-BC-FC43 |
| 200779 | DRAIN HOSE FOR BR-BC-FC43 |
| 200806 | O-RING 2,62X13,10X18,34 |
| 200810 | O-RING 2,62X9,92X15,6 F.GLASSW |
| 200820 | O-RING151 46,99X5,33X57,6 |
| 200821 | O-RING 2,62X20,63 |
| 200855 | GASKET LOWER WASH ARM SUPPORT |
| 200856 | O-RING 82,22X87,46X2,62 |
| 200913 | GASKET FOR SUCTION BASIN BR-BC |
| 200917 | GASKET FOR OVERFLOW PIPE BR-BC |
| 200927 | GASKET FOR AIR TRAP |
| 270121 | NUT FOR AIR TRAP |
| 330591 | TANK FILTER BR-BC-FC43 |
| 350774 | BRACKET |
| 450104 | CLAMP FE ZN H=12,5 15-24 |
| 450105 | CLAMP FE ZN. 26-38 H=12,2 |
| 450106 | CLAMP FE ZN 32-44 H=12,2 |
| 450107 | CLAMP FE ZN 38-50 H=12,2 |
| 450115 | ELASTIC CLAMP D.8,3/7,8 |
| 450137 | COLLAR CONNECTION WITH BASE 31 |
| 450143 | CLAMP D.39,7 X 37,7 |
| 450223 | RETAIN.SPRING FOR FILTER BC-BR |



4 - Wash arm

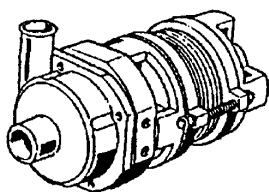
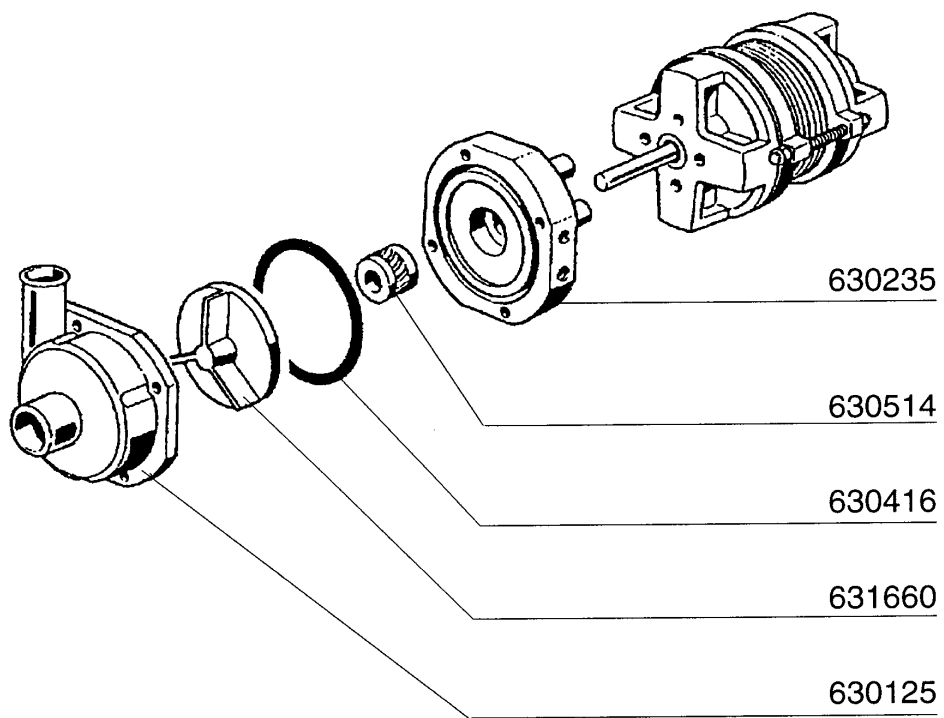
| CODE | DESCRIPTION |
|--------|--------------------------------|
| 140108 | PLATE FOR WASH ARM |
| 160734 | END PLUGS RINSE ARM |
| 160736 | WASH ARM PLUG F45 |
| 170946 | RINSE JET/RINSE ARM B-F |
| 170956 | WASH JET/WASH ARM B-F20 |
| 190649 | BUSH WASH ARM GLASSWASHERS |
| 200812 | O-RING 1,78X17,17X20,73 |
| 200843 | O RING 2X13X17 |
| 200844 | O RING 2X9,5X13,5 |
| 200845 | O RING 109 2,62X9,13X14,37 |
| 260711 | SCREW 4,2X13 A2 DIN7972 |
| 261009 | RETAIN.SCREW FOR WASH-RINSE AR |
| 420531 | PLASTIC WASH-RINSE ARM F20-B |
| 420551 | UPPER WASH ARM GLASSWASHERS |

5 - Rinse assembly



5 - Rinse assembly

| CODE | DESCRIPTION |
|--------|--------------------------------|
| 110366 | HEAT.ELEM./BOILER 3200W 230V |
| 120179 | 3-WAYS SOLENOID VALVE 90Ø |
| 120197 | 2-WAY SOLENOID VALVE 220V |
| 120501 | THERMOSTAT 30/90ØC |
| 120523 | SAFETY THERMOSTAT 110Ø |
| 160715 | COVER FOR RINSE AID CONTAINER |
| 160805 | GASKET D.8 |
| 180408 | TEE-NIPPLE F.INJECT.W/CENTR.RE |
| 180415 | TEE NIPPLE DOUBLE "T" |
| 190209 | UPPER WASH/RINSE ARM SUPPORT " |
| 190210 | BOTTOM TEE WASH/RINSE BC-FC43 |
| 190330 | TEE FOR VAACUM BREAKER |
| 190811 | RINSE INJECTOR |
| 191040 | FRAME F.THERMOSTAT KNOB |
| 200117 | RUBBER HOSE 7X16 |
| 200122 | HOSE 11X19 |
| 200130 | RINSE AID INJECTOR SUCTION HOS |
| 200416 | GASKET D. 3/4" |
| 200714 | GLASSWASHER INLET HOSE |
| 200734 | HOSE FOR RINSE |
| 200820 | O-RING151 46,99X5,33X57,6 |
| 260110 | SCREW TE 8X10 |
| 280121 | ELL FOR VAACUM BREAKER |
| 330340 | BOILER BR-BC-FC43 |
| 331482 | BRACKET FOR 2 THERMOST. B-F20 |
| 331812 | BRACKET F.SOLEN.VALV BT |
| 340484 | SHAFT F. RINSE AID CONTAINER |
| 450102 | CLAMP FE ZN 11-17 H=9 |
| 450103 | CLAMP FE ZN. 13-20 H=9 |
| 450104 | CLAMP FE ZN H=12,5 15-24 |
| 450115 | ELASTIC CLAMP D.8,3/7,8 |
| 450315 | KNOB F. THERMOSTAT 90Ø |
| 450812 | SPRING FOR SPINDLE (CODE NO.34 |
| 460502 | GASKET 30X21X2 |
| 620120 | RINSE AID INJECTOR |
| 620209 | INLET WATER FILTER |
| 620243 | VACUUM BREAKER (WITHOUT KIT) |
| 630969 | COIL S4216 220/50HZ |

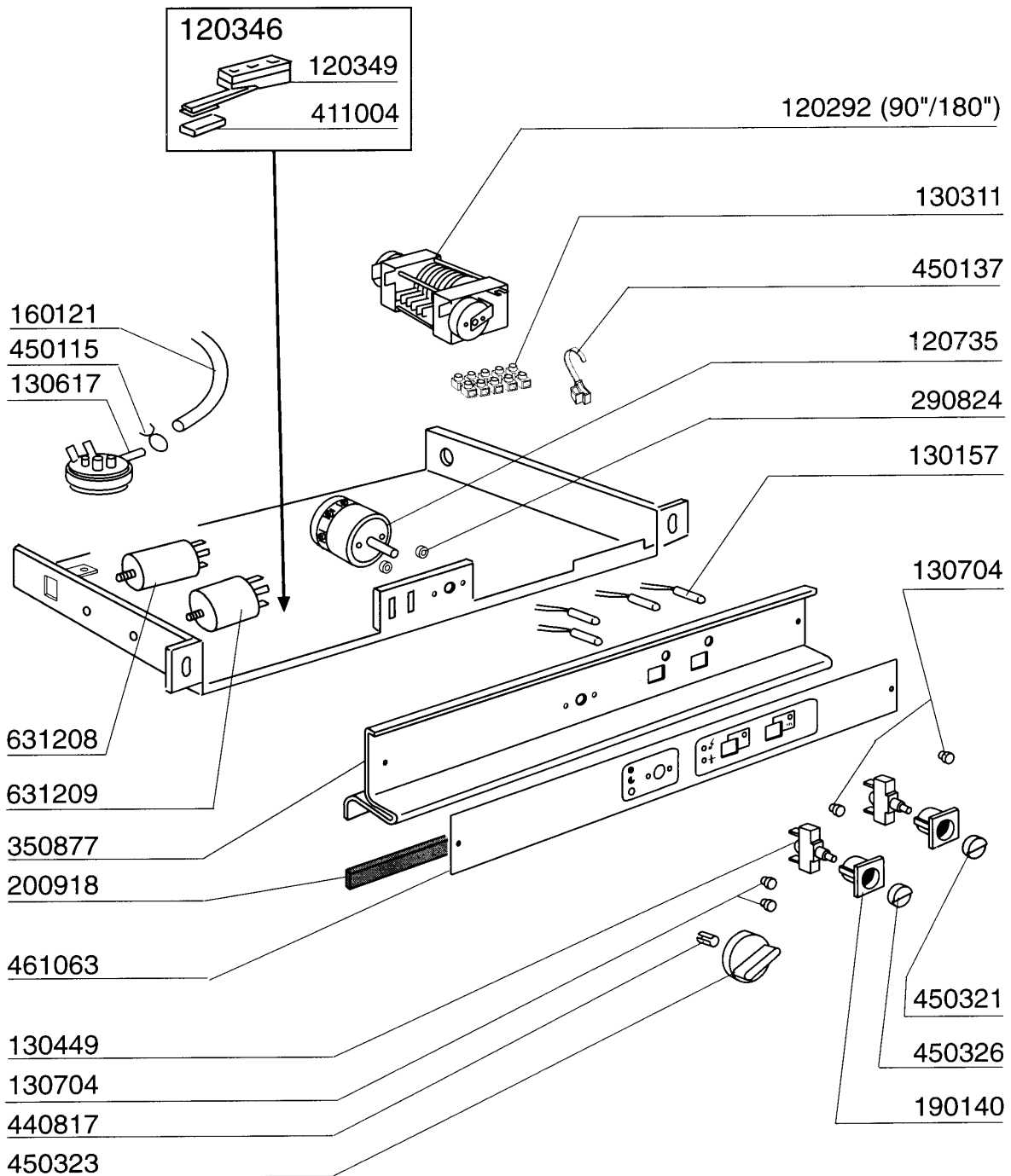


100702 220/240 V 50 Hz HP 0,3 Kw 0,22

01 - 1999 S. AG.

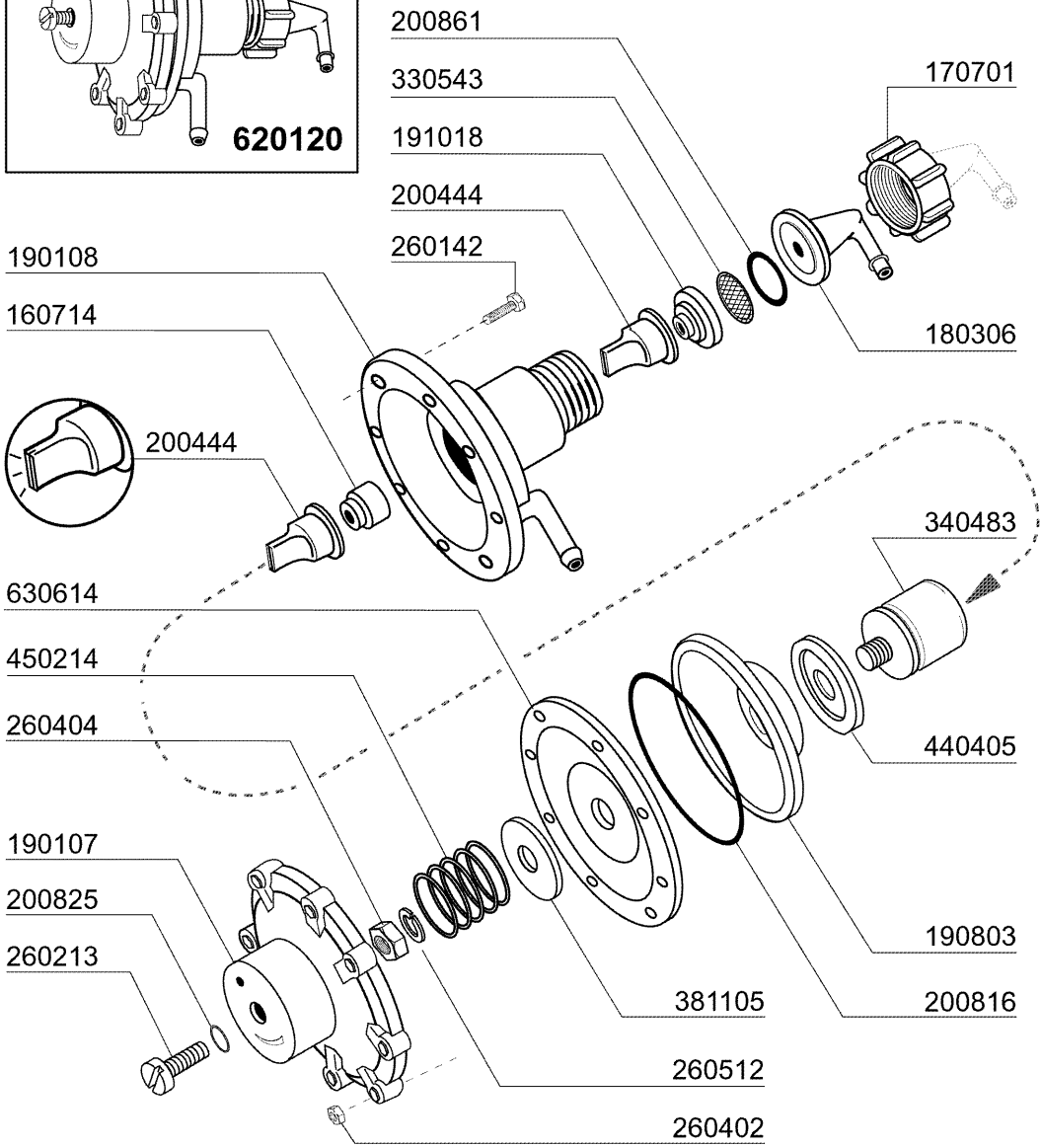
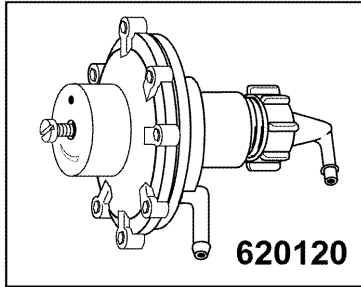
6 - Wash pump

| CODE | DESCRIPTION |
|-------------|------------------------------|
| 100702 | PUMP HP 0,3 220/240-50-2229 |
| 630125 | VOLUTE 0,12/0,3(2212-29) |
| 630235 | PUMP COVER 0,12/0,3 2212-19 |
| 630416 | OR FOR VOLUTE 0,12/0,3 |
| 630514 | PUMP SEAL FIR4208 |
| 631660 | IMPELLER F.2229 HP 0,3-50 HZ |



7 - Control box

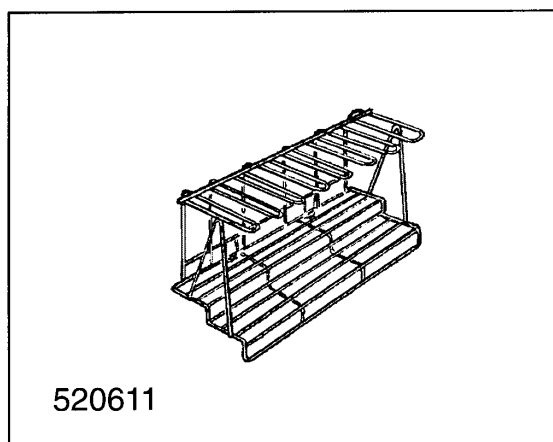
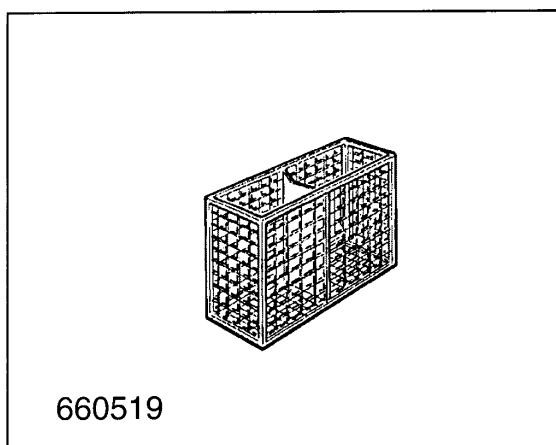
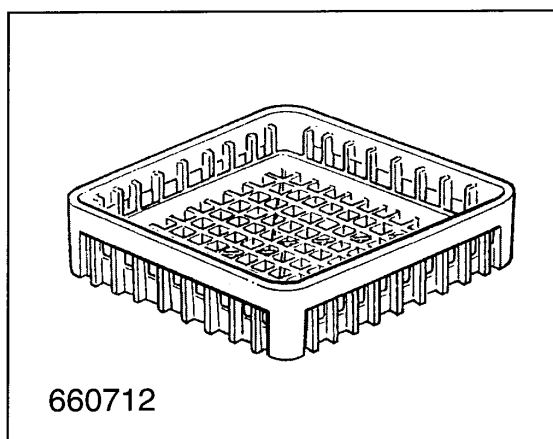
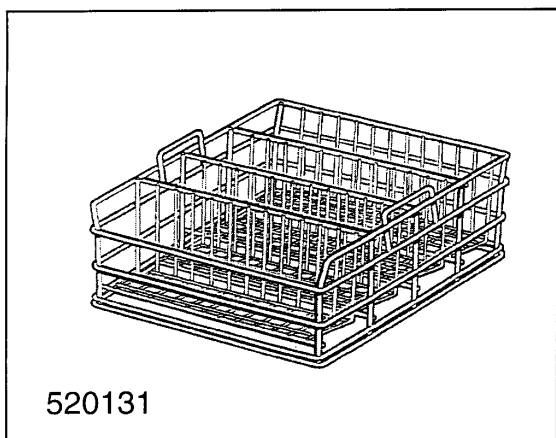
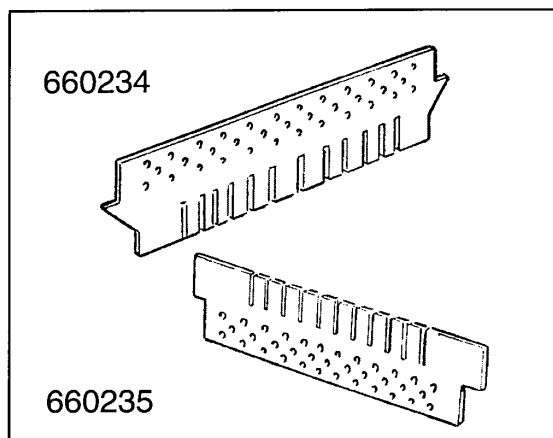
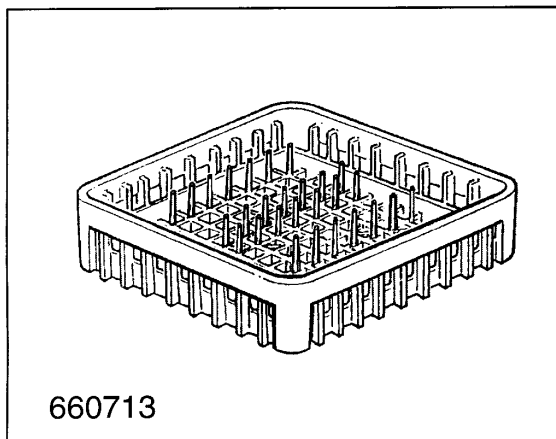
| CODE | DESCRIPTION |
|--------|--------------------------------|
| 120292 | TIMER 90/180" |
| 120346 | DOOR MICROSWITCH WITH MAGNET |
| 120349 | DOOR MICROSWITCH BR-BC-FC43 |
| 120735 | 6 POLE SWITCH 15A 2 POS. |
| 130157 | GREEN LED FOR BR-BC-C-SERIES - |
| 130311 | TERMINAL BLOCK |
| 130449 | PUSH BUTTON BR-BC-FC |
| 130617 | PRESSURE SWITCH 60-40 BC-BR-FC |
| 130704 | GREEN COLOUR.IND.LAMP COVER |
| 160121 | HOSE EPDM D. 5 X 9 |
| 190140 | BUTTON HOLDER BR-BC-FC |
| 200918 | DOOR GASKET BR-BC-FC43 |
| 290824 | DISTANCE PIECE FOR BR-BC-FC SW |
| 350877 | CONTROL PANEL SUPPORT BR-BC |
| 411004 | PERMANENT MAGNET FOR MICROSWIT |
| 440817 | SNAP RING LSCB/1853/17/00 |
| 450115 | ELASTIC CLAMP D.8,3/7,8 |
| 450137 | COLLAR CONNECTION WITH BASE 31 |
| 450321 | GREY COVER FOR PUSH BUTTON BR- |
| 450323 | KNOB FOR BC-BR-C95-C155 |
| 450326 | PUSH BUTTON "CYCLE" GREEN |
| 461063 | PLATE FC43 |
| 631208 | CONDENSER 5MF.450V |
| 631209 | ANTI-NOISE FILTER |



02 - 2004 | S. AG.

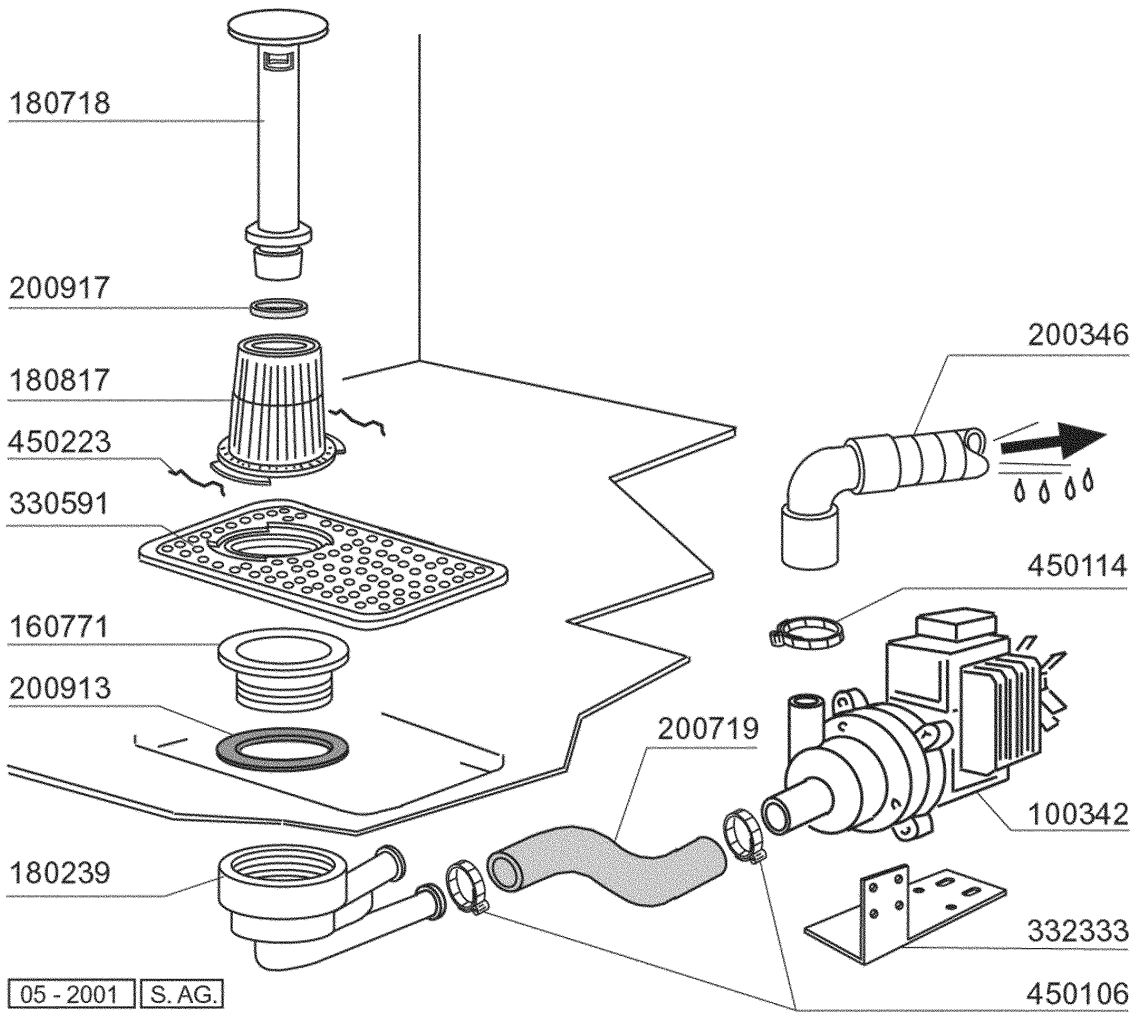
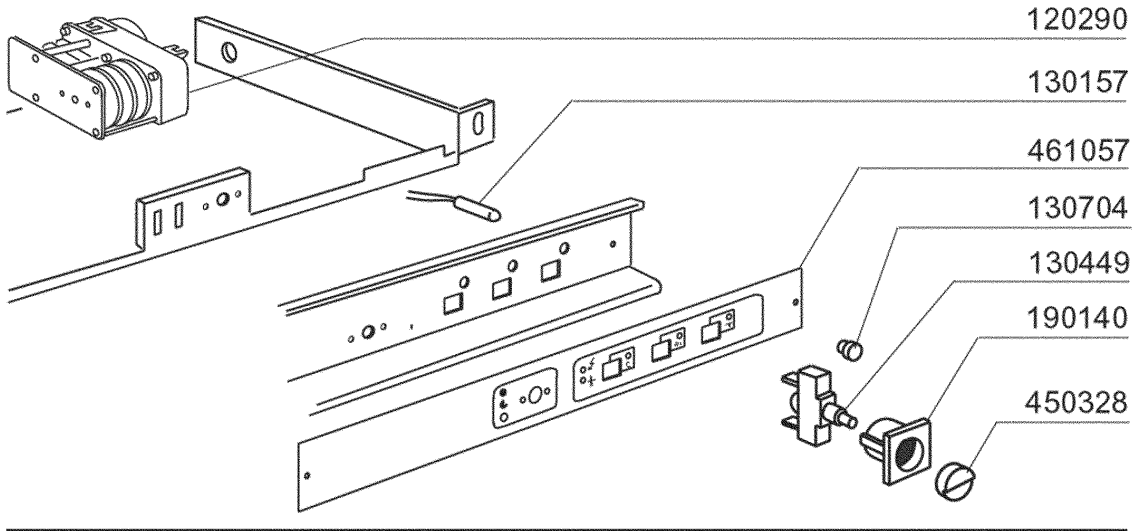
8 - Rinse aid injector

| CODE | DESCRIPTION |
|--------|--------------------------------|
| 160714 | PLUG FOR RINSE AID INJECTOR MO |
| 170701 | LOCK NUT 1/2" F.INJECTOR |
| 180306 | NIPPLE F.RINSE AID INJECTOR |
| 190107 | COVER FOR RINSE AID DISPENSER |
| 190108 | VOLUTE FOR RINSE AID DISPENSER |
| 190803 | GASKET SUPPORT RING F.INJECT |
| 191018 | FILTER SUPPORT RINSE AID INJEC |
| 200444 | SUCTION VALVE RINSE INJECTOR |
| 200816 | O-RING 2,5X59,2X64,2 RINSE INJ |
| 200825 | O-RING 3X5X11 RINSE INJECTOR |
| 200861 | O-RING 14X18X2 |
| 260142 | SCREW TE 4X16 |
| 260213 | SCREW TCP 5X25 |
| 260402 | STAINLESS STEEL NUT D4 UNI 55 |
| 260404 | STAINLESS STEEL NUTS D6 UNI 55 |
| 260512 | ST/ST GROWER WASHER D6 |
| 330543 | FILTER RINSE AID INJECTOR D.17 |
| 340483 | PISTON FOR RINSE AID DISPENSER |
| 381105 | DIAPHRAGME DISC |
| 440405 | GASKET FOR RINSE AID INJ. |
| 450214 | SPRING RINSE AID INJECTOR |
| 620120 | RINSE AID INJECTOR |
| 630614 | DIAPHRAGM RINSE INJECTOR |



9 - Rack

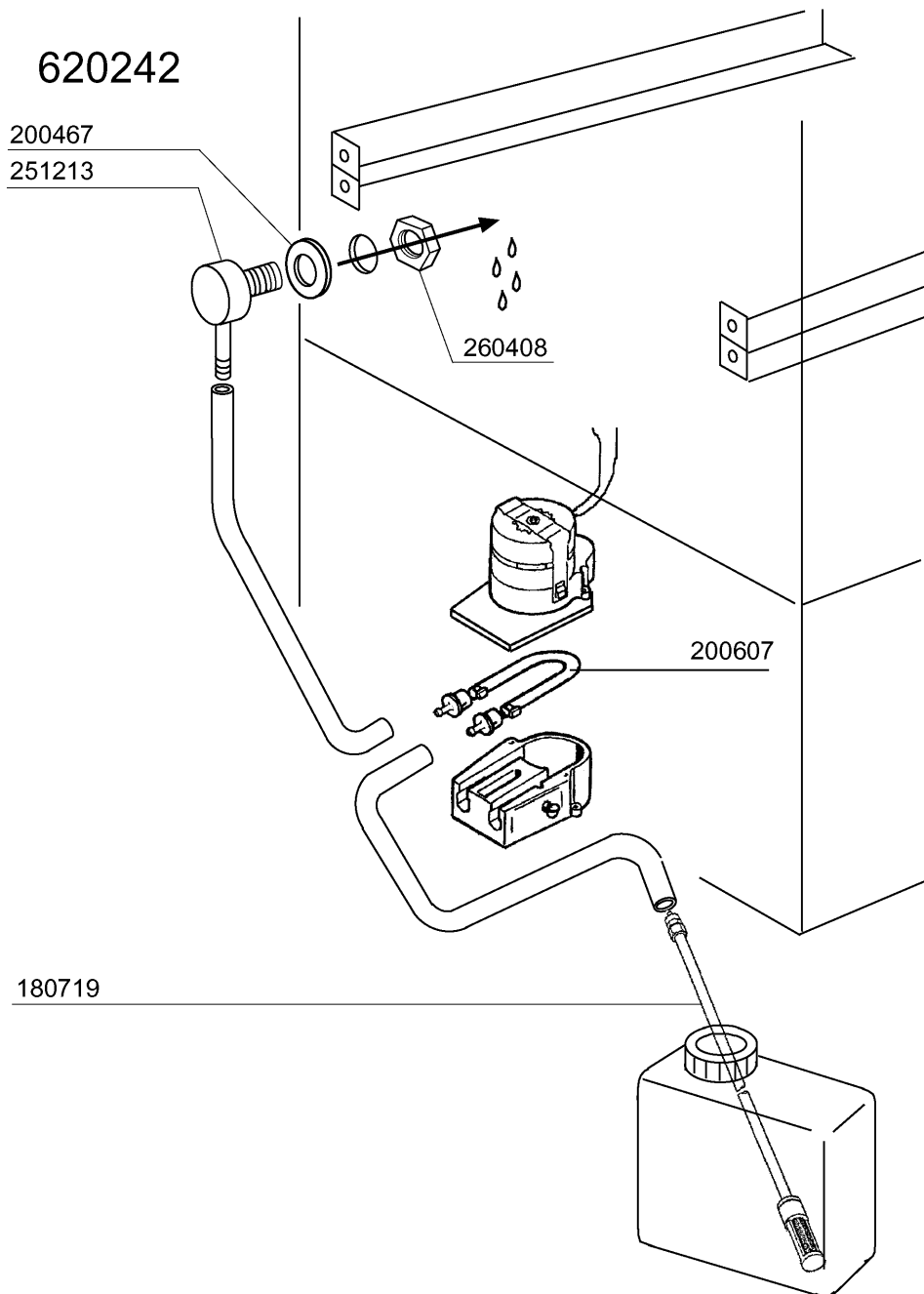
| CODE | DESCRIPTION |
|-------------|--------------------------------|
| 520131 | GLASS RACK 40X40 H270 |
| 520611 | INSERT FOR CHAMPAGNE GLASSES |
| 660234 | UPPER INSERT FOR 16-25-36 GLAS |
| 660235 | LOWER INSERT FOR 16-25-36 GLAS |
| 660519 | 2-PLACES CUTLERY HOLDER |
| 660712 | BASE RACK 400X400 |
| 660713 | PLATE RACK 400X400 |



05 - 2001 S. AG.

10 - Drain pump

| CODE | DESCRIPTION |
|--------|--------------------------------|
| 100342 | DRAIN PUMP 100 W 220V |
| 120290 | TIMER FOR DRAIN PUMP |
| 130157 | GREEN LED FOR BR-BC-C-SERIES - |
| 130449 | PUSH BUTTON BR-BC-FC |
| 130704 | GREEN COLOUR.IND.LAMP COVER |
| 160771 | NUT |
| 180239 | SUCTION BASIN BR-BC-FC43 |
| 180718 | OVERFLOW PIPE BR-BC DRAIN PUMP |
| 180817 | SUCTION FILTER FOR BR-BC-FC43 |
| 190140 | BUTTON HOLDER BR-BC-FC |
| 200346 | DRAIN HOSE GLASSWASHER |
| 200719 | INLET HOSE B23-10-1-2 |
| 200913 | GASKET FOR SUCTION BASIN BR-BC |
| 200917 | GASKET FOR OVERFLOW PIPE BR-BC |
| 330591 | TANK FILTER BR-BC-FC43 |
| 332333 | BRACKET FOR DRAIN PUMP |
| 450106 | CLAMP FE ZN 32-44 H=12,2 |
| 450114 | CLAMP FE ZN.22-32 H=12,2 |
| 450223 | RETAIN.SPRING FOR FILTER BC-BR |
| 450328 | DRAIN SWITCH |
| 461057 | CONTROL PANEL BCHR |



10 - 2000 | S. AG.

11 - Detergent dispenser

| CODE | DESCRIPTION |
|-------------|--------------------------------|
| 180719 | DETERGENT DISPENSER SUCTION HO |
| 200467 | DUTRAL GASKET F. AIR TRAP |
| 200607 | DETERGENT DISPENSER HOSE |
| 251213 | INJECTIOR S/S FOR DETERGENT IN |
| 260408 | S/S NUTS D.12 |
| 620242 | DETERGENT INJECTOR (KIT) |